



INSTALLATION INSTRUCTIONS WINCH MOUNTING KIT

Part Number: 70555

Application: Kubota RTV900

Your safety, and the safety of others, is very important. To help you make informed decisions about safety, we have provided installation and operating instructions and other information on labels and in this guide. This information alerts you to potential hazards that could hurt you or others. It is not possible to warn you about all potential hazards associated with this product, you must use your own good judgment.

CARELESS INSTALLATION AND OPERATION CAN RESULT IN SERIOUS INJURY OR EQUIPMENT DAMAGE. READ AND UNDERSTAND ALL SAFETY PRECAUTIONS AND OPERATING INSTRUCTIONS BEFORE INSTALLING AND OPERATING THIS PRODUCT.

This guide identifies potential hazards and has important safety messages that help you and others avoid personal injury or death. **WARNING** and **CAUTION** are signal words that identify the level of hazard. These signal words mean:

▲WARNING signals a hazard that *could* cause serious injury or death, if you do not follow recommendations. **▲CAUTION** signals a hazard that *may* cause minor to moderate injury, if you do not follow recommendations.

This guide uses **NOTICE** to call attention to important mechanical information, and **Note** to emphasize general information worthy of special attention.

▲ WARNING

INJURY HAZARD

Failure to observe these instructions could lead to severe injury or death.

- ❑ **Always** use extreme caution when drilling on any vehicle. Make sure that all fuel lines, brake lines, electrical wires, and other objects are not punctured or damaged when / if drilling on the vehicle. Thoroughly inspect the area to be drilled (on both sides of material) prior to drilling, and relocate any objects that may be damaged. Failure to inspect the area to be drilled may result in vehicle damage, electrical shock, fire or personal injury.
- ❑ **Always** wear safety glasses when installing this kit. A drilling operation will cause flying metal chips. Flying chips can cause eye injury.
- ❑ **Always** use extreme caution when cutting and trimming during fitting.
- ❑ **Always** remove jewelry and wear eye protection.
- ❑ **Never** lean over battery while making connections.
- ❑ **Never route electrical cables:**
 - Across any sharp edges.
 - Through or near moving parts.
 - Near parts that become hot.
- ❑ **Always** insulate and protect all exposed wiring and electrical terminals.
- ❑ **Always** install terminal boots as directed in installation instructions.
- ❑ **Always** use appropriate and adequate care in lifting components into place.
- ❑ **Always** insure components will remain secure during installation and operation.
- ❑ **Always** tighten all nuts and bolts securely, per the installation and operation.
- ❑ **Always** perform regular inspections and maintenance on the winch, winch mount and related hardware.
- ❑ **Never** operate this **WARN** product with damaged or missing parts.

⚠ Caution
Moving Parts Entanglement Hazard
Failure to observe these instructions could lead to minor or moderate injury.
<input type="checkbox"/> Always take time to fully read and understand the installation and Operations Guide included with this product. <input type="checkbox"/> Never operate this product if you are under 16 years of age. <input type="checkbox"/> Never operate this product when under the influence of drugs, alcohol or medications.
Read installation and operating instructions thoroughly.

Notice
Equipment Damage
<input type="checkbox"/> Always refer to the Installation and Specification Guide, supplied in the winch kit, for all wiring schematics and specific details on how to wire this WARN product to your vehicle.
Read installation and operating instructions thoroughly.

I. TABLE OF CONTENTS

Parts List	page 2
Tools Required	page 2
Torque Specifications	page 2
Installation	page 3-8
Maintenance/Care	page 9

III. TOOLS REQUIRED

- Ratchet
- 7/16" Socket
- 1/2" Socket
- 13mm Socket
- 12mm Socket
- 17mm Socket
- Metric Hex Wrench Set

II. PARTS LIST

<u>Part Number</u>	<u>Qty</u>	<u>Description</u>
70255	1	Stay Switch
70428	1	Contactator Mount
70258	1	Mounting Bracket
70259	1	Mounting Plate
1320	4	1/4" Flat Washer
1321	4	1/4" Lock Washer
1322	4	1/4-20 Nut
13470	2	5/16-18 x 1 1/4 bolt
28325	2	M8-1.25 x 16mm bolt
39514	2	1/4-20 x 1.5" u-bolt

IV. TORQUE SPECIFICATIONS

1/4	8 lb. ft. (10.8 N-m)
3/8	30 lb. ft. (40.7 N-m)
7/16	50 lb. ft. (67.8 N-m)
1/2	75 lb. ft. (101.7 N-m)

V. INSTALLATION

1. Remove the four 10mm bolts securing the factory winch plate, Figure 1.

Note: Two of the 10mm bolts will be used later.

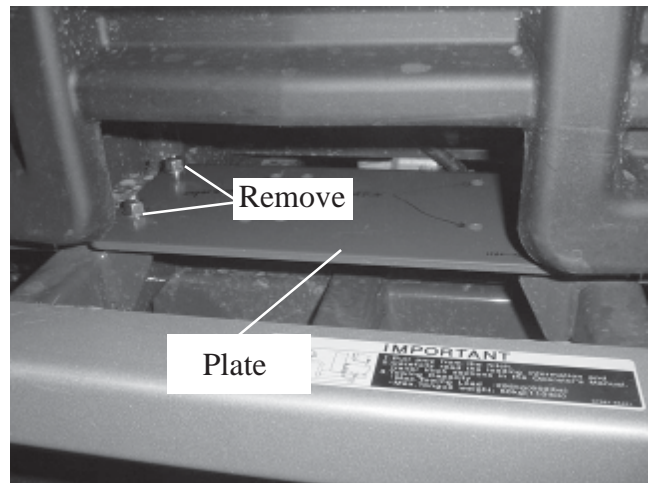


Figure 1

2. Remove the plate, Figure 2.

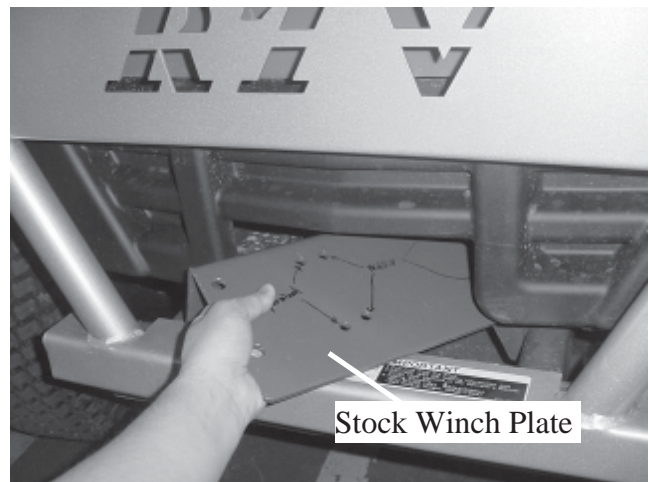


Figure 2

3. Fasten the mounting bracket using the two inner 12mm bumper bolts, Figure 3.

Note: The mounting bracket is compatible with the brush guard (shown) and the standard bumper.

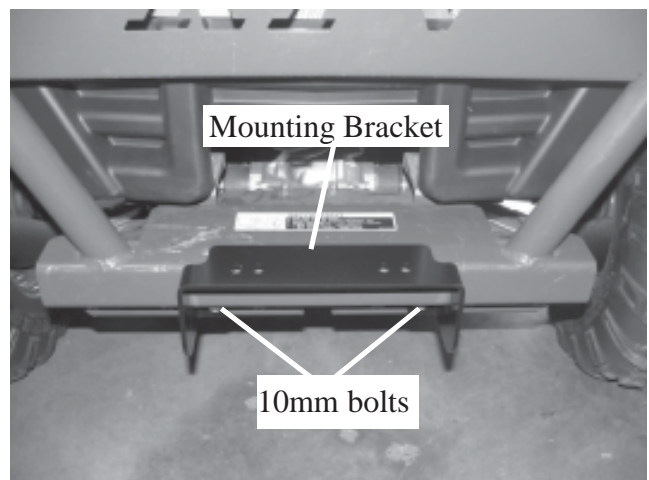


Figure 3

INSTALLATION CONT.

4. Fasten the rear bolts through the fairlead bracket into the winch using the 3/8" bolts, supplied with the winch, Figure 4. Tighten the bolts to the recommended torque.

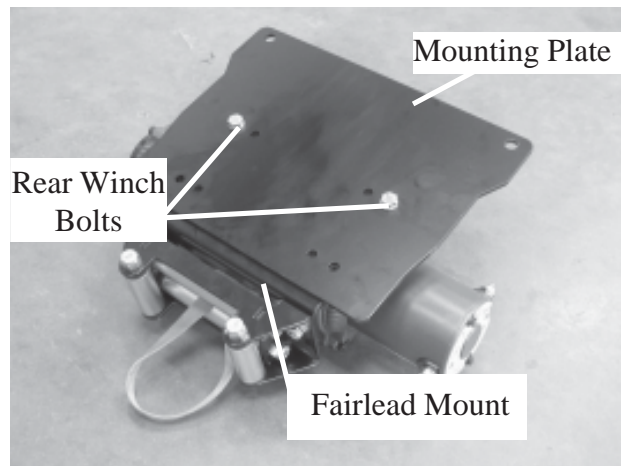


Figure 4

Note: Use the outside holes for the 4.0ci winch and the inner holes for the 2.5ci and 3.0ci, Figure 5.

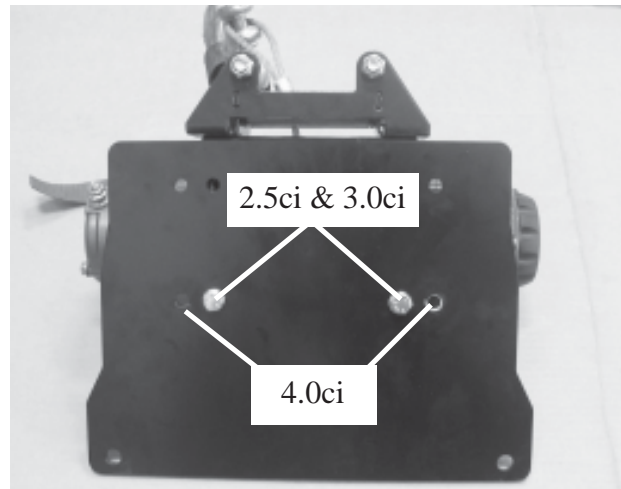


Figure 5

5. Slide the mounting plate and winch into position, resting on the mounting bracket, Figure 6.

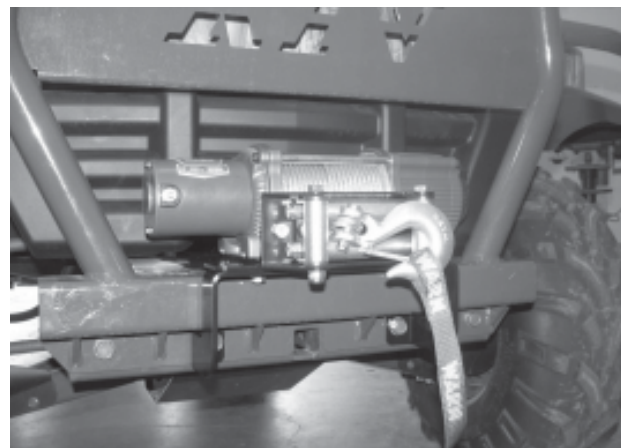


Figure 6

- Use two of the 10mm bolts from step 1 to fasten the mounting plate to the vehicle frame, Figure 7. Do not tighten the 10mm bolts at this time.

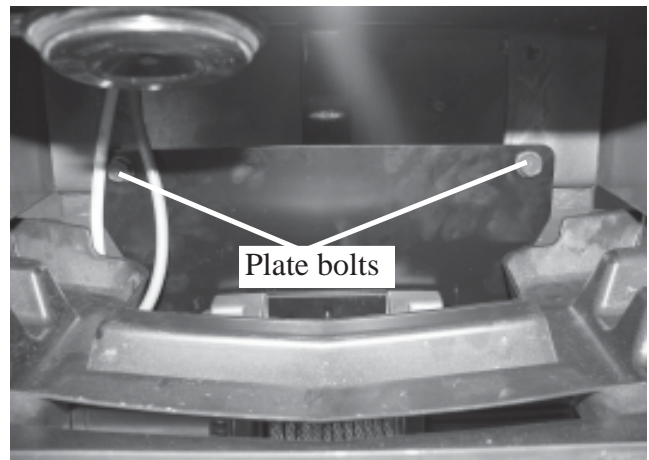


Figure 7

- Use the two 3/8" bolts from the mounting kit to fasten the front of the winch, Figure 8. Tighten the 3/8" bolts and the 10mm bolts at this time.

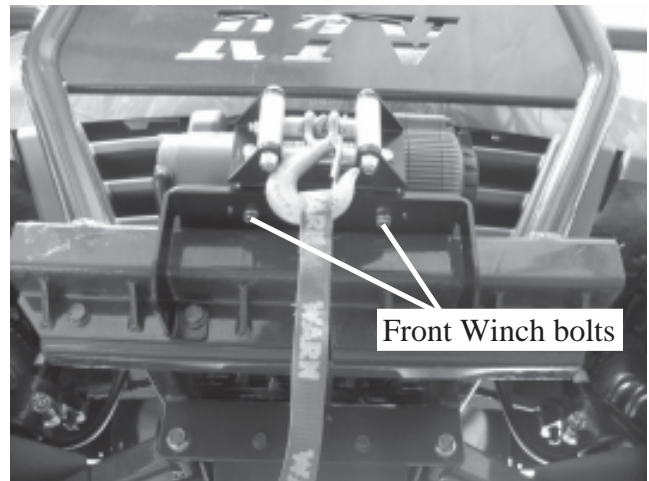


Figure 8

Specific Wiring Instructions

Notice
IT SHOULD BE NOTED THAT THE FOLLOWING INSTRUCTIONS ARE UNIT SPECIFIC ONLY. THE FOLLOWING INSTRUCTIONS SHOULD BE REFERRED TO AS REFERENCE INSTRUCTIONS TO ASSIST WIRING THE WINCH FROM THE INSTALLATION AND SPECIFICATION GUIDE SUPPLIED IN THE WINCH KIT.

- Place rubber boots on the blue and yellow winch power cables. Fasten the cables to the winch terminals and route the wiring as shown, Figure 9.

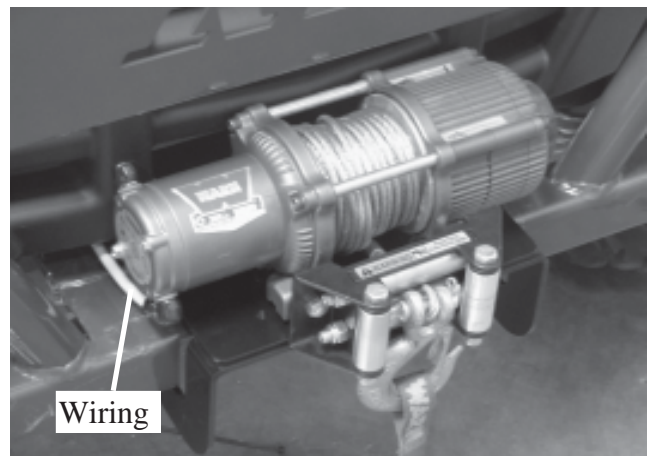


Figure 9

WIRING INSTALLATION CONT.

2. Route the cables along the main electrical harness, Figure 10. Secure the cables with the cable ties supplied in the winch kit.

Note: Make sure to secure all cables away from moving parts.

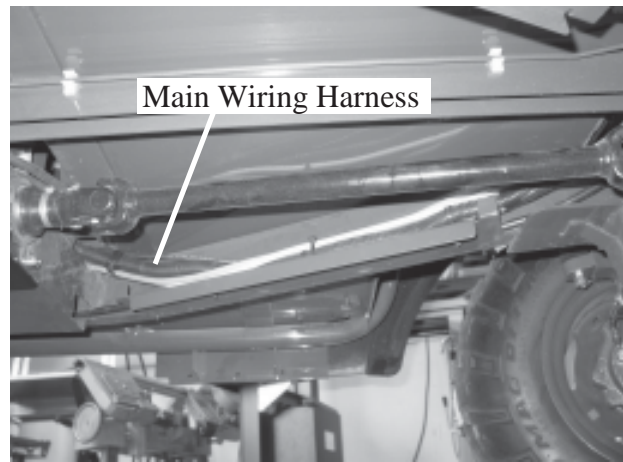


Figure 10

3. Remove the side panel from the driver's side, Figure 11.

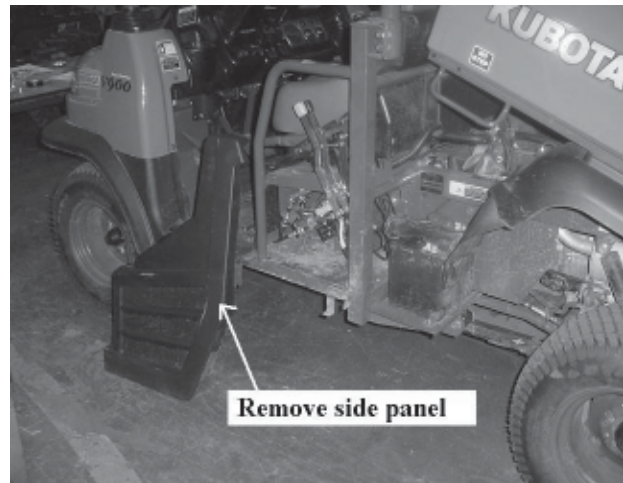


Figure 11

4. Follow the wiring harness into the side compartment, Figure 12.

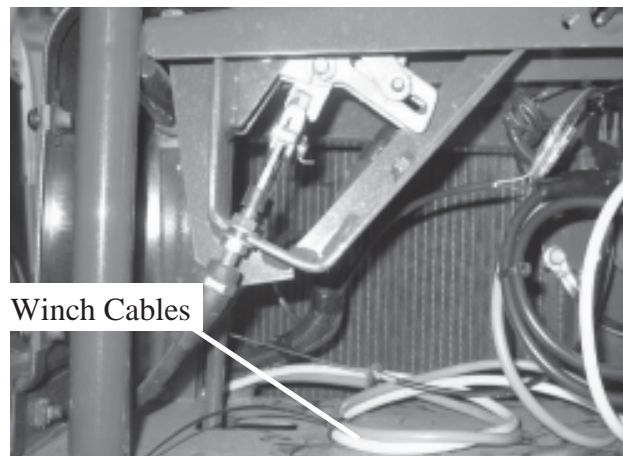


Figure 12

5. Fasten the yellow, blue, black and red power cables to the contactor, Figure 13. Mount the contactor to the contactor bracket with the fasteners supplied in the winch kit.

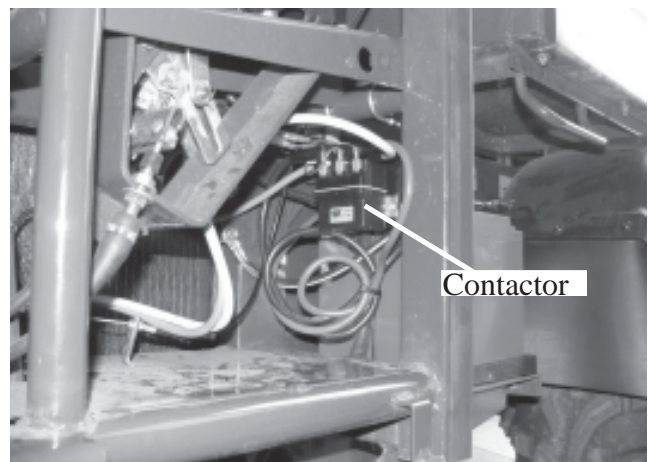


Figure 13

6. Secure the contactor mount to the cross tube in front of the battery using the 1/4" u-bolts, washers, lock washers and nuts, Figure 14.

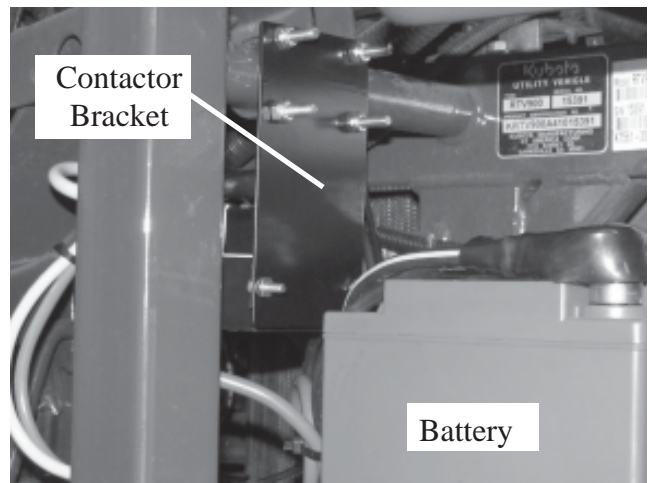


Figure 14

7. Connect the 20 gauge wire for the vehicle's ignition switch to the 20 gauge wire located on the wiring harness wrapped in blue tape (at the front of the vehicle), Figure 15.

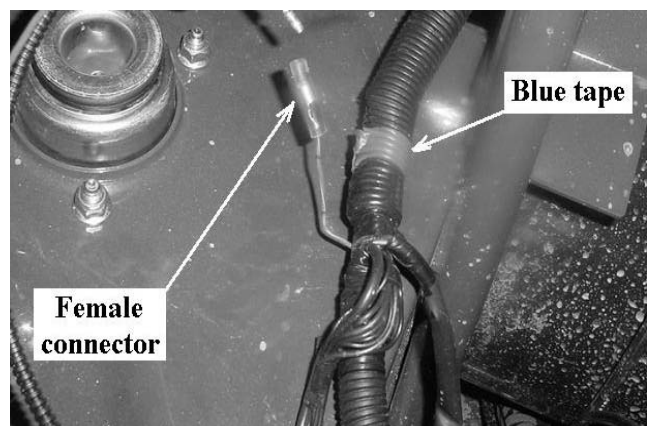


Figure 15

8. Fasten the stay switch to the vehicle above to brake pedal, Figure 16. The plastic plugs must be removed before the 8mm bolts can be inserted. Mount the remote and/or rocker switch to the switch stay using the fasteners included in the winch kit.

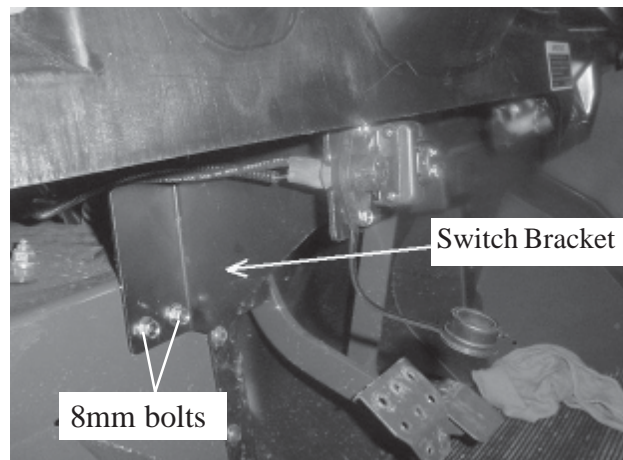


Figure 16

⚠ WARNING

READ THE VEHICLE'S OPERATOR MANUAL, WINCH OPERATOR MANUAL, AND ALL WARNING LABELS PRIOR TO OPERATION OF ATV AND WINCH.

THE WINCH MOUNTING PLATE INSTALLATION IS NOW COMPLETE. PROCEED TO SECTION IV TITLED "MAINTENANCE/CARE".

⚠ WARNING

FAILURE TO SECURELY TIGHTEN ALL BOLTS ON THE WINCH PLATE, WINCH, AND FAIRLEAD CAN RESULT IN PRODUCT FAILURE WHICH MAY RESULT IN VEHICLE DAMAGE AND OPERATOR INJURY OR DEATH. DOUBLE CHECK THAT ALL BOLTS ARE SECURELY TIGHTENED PRIOR TO USE.

VI. MAINTENANCE/CARE

1. Inspect all parts on the winch, winch mount, and related hardware prior to each use. Replace all hardware that appears rusted or deformed.
2. Inspect all nuts and bolts on the winch, winch mount, and related hardware prior to each use. Tighten all nuts that appear to be loose. Stripped, fractured, or bent bolts or nuts need to be replaced.
3. Check all cables prior to use. Replace cables that look worn or frayed.
4. Check all moving or rotating parts. Remove debris that may inhibit the part from moving freely.

⚠ WARNING

PERFORM REGULAR INSPECTIONS ON THE WINCH, WINCH MOUNT, AND RELATED HARDWARE. NEVER OPERATE THE WINCH WITH DAMAGED OR MISSING PARTS. FAILURE TO FOLLOW THIS WARNING MAY CAUSE VEHICLE DAMAGE AND OPERATOR INJURY OR DEATH.