



OPERATION INSTRUCTIONS

Tactical Security Lock-Box #253, #278

QC CHECK

- VISUAL INSPECTION
 - RUBBER SEAL
 - CORRECT KEY & COMBO CODES
 - PUSHBUTTON LOCK TEST
 - COMBO LOCK TEST
 - LATCH TEST
 - LEVERS TEST
 - GAS SPRING TEST
 - CARPET FINISH KIT INSPECTION
 - UNLOCKED WITH KEY INSIDE
- QC INSPECTOR INITIALS _____

Opening the Tuffy Security Lock-box

1. Using the pushbutton key lock:

Warning: keep clear of the lid when opening it. There is a gas strut which forces the lid open.

1.1. Locate the key and unlock the pushbutton lock.

1.2. Press the pushbutton while at the same time pulling the lid open using the handle.

2. Using the pushbutton combination lock:

Warning: keep clear of the lid when opening it. There is a gas strut which forces the lid open.

Attention: The combination pushbutton lock is typically shipped from the factory with either no code entered yet or "12345" and will need to be reset by the customer. Alternative pre-programmed code is

2.1. Turn the OPEN lever clockwise to disengage the latch mechanism and pull the lid open while holding the OPEN lever clockwise. Releasing the lever before pulling the lid open will allow the latch to re-engage preventing the lid from opening.

Instructions for securing the Tuffy Lock-box to the vehicle

Note: There are a variety of options for securing the lock-box to the vehicle. A cable can be oriented as illustrated in Figure 1 & 2. Also, a padlock can be used to secure a cable to the security mechanism

1.1. Open the lid.

1.2. Secure the cable to an adequate anchor point in the vehicle. (See Figure 1)

1.3. Pivot the security arm toward the inside of the box to open the cable locking mechanism. (See Figure 1)

1.4. Insert the cable end(s) in the slot and release the pivot arm to secure the cable ends. (See Figure 1 & 2)

1.5. Close the lid. When closed there are tabs on the lid which prevent the pivot arm from rotating to release the cable during a break in attempt. (See Figure 2)

Figure 1

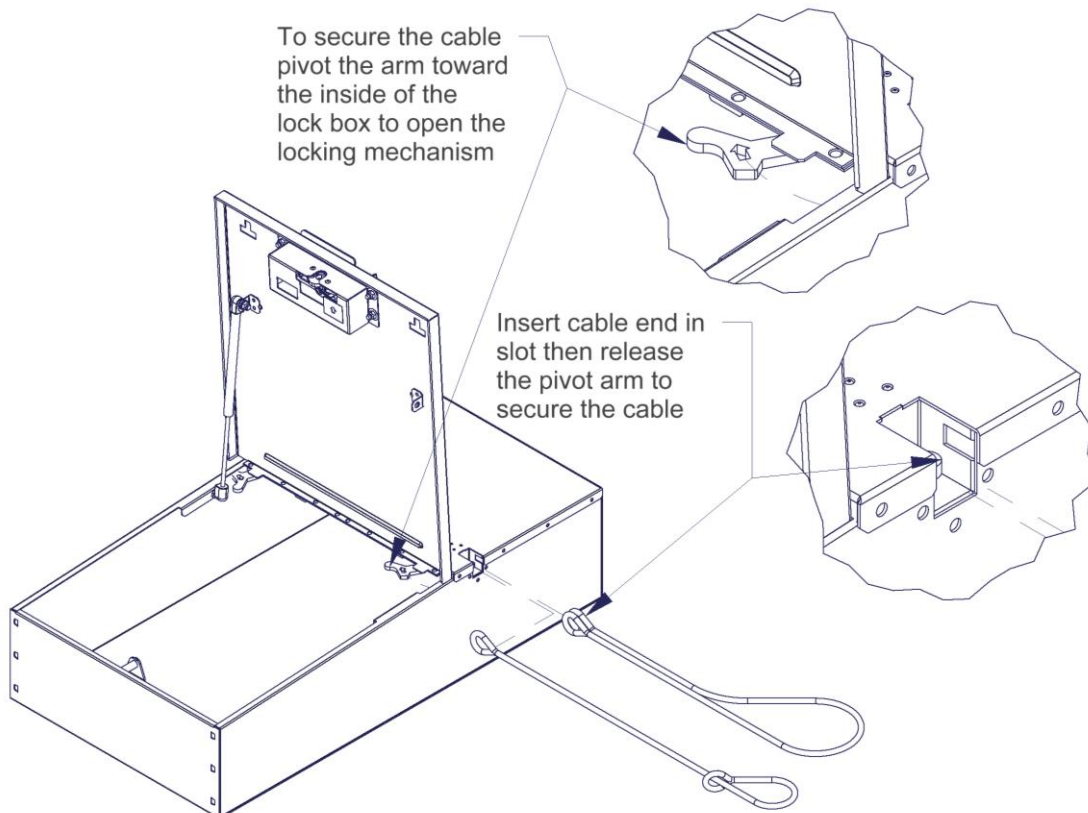
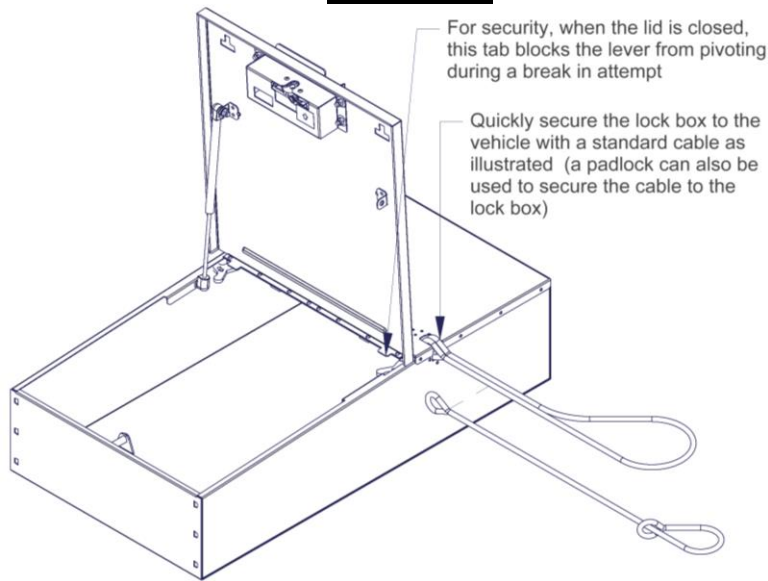


Figure 2



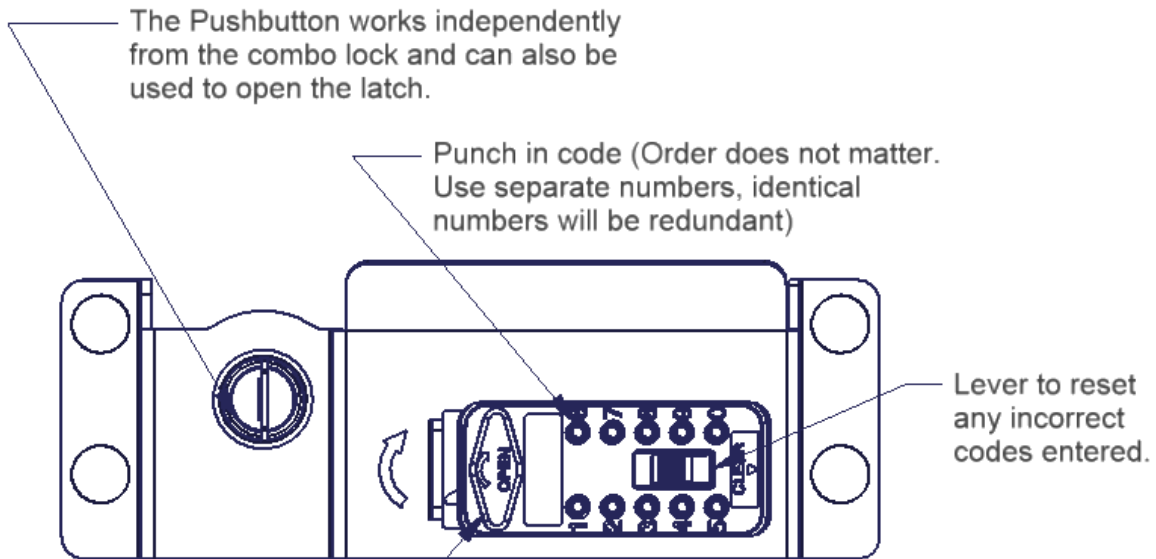
Instructions for changing the combination

Attention: The combination pushbutton lock is typically shipped from the factory with either no code entered yet or "12345" and will need to be reset by the customer. Alternative pre-programmed code is _____

2. Selecting your combination

- 2.1. Please look at the front of the combination lock. There are buttons numbered 1 through 0. There is also an OPEN lever and a CLEAR button. (See Figure 3)
- 2.2. Select your own combination and keep the combination in a safe place.
- 2.3. For best results, select between four and seven numbers in your combination. Each number can only be used one time. Do not use number combinations that can be easily guessed.

Figure 3



Turn knob clockwise after entering the code. Clutch will release freeing knob to spin when an incorrect code is entered to prevent damage to the lock.

ATTENTION! Be sure to hold the knob open while pulling the drawer open or the latch will re-engage when the lever is released preventing the drawer from opening

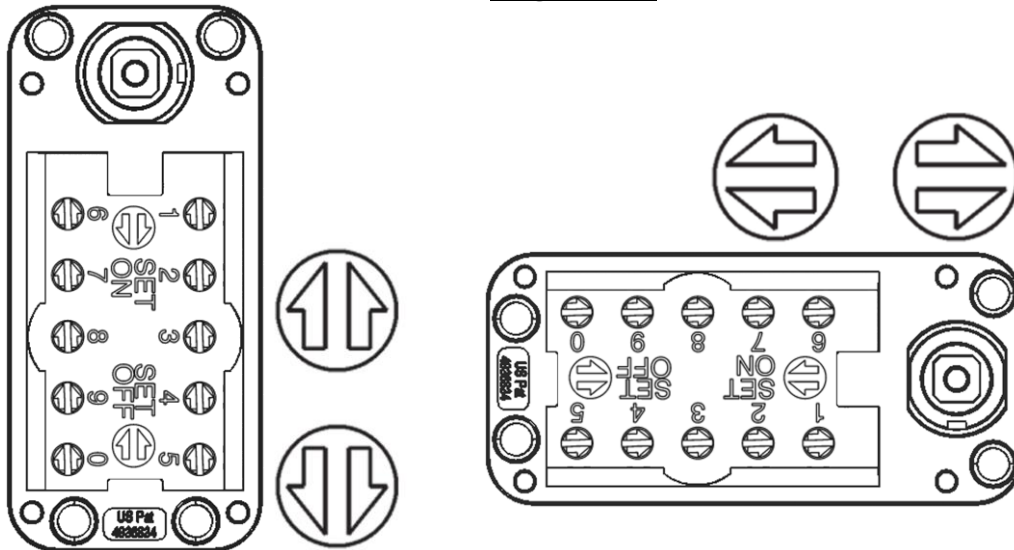
3. Setting your combination

WARNING: Improperly setting the combination is not covered under the warranty. Do not disassemble the lock. Doing so voids the warranty.

- 3.1. Press on the CLEAR to reset the combination lock. (See Figure 3)
- 3.2. It is not necessary to remove the latch cover on the back of the latch mechanism. A window has been provided in the face of the latch cover to allow for easy changing of the combination code. Simply open the lid and locate the latch cover combination window.
- 3.3. Looking at the rear of the pushbutton combination lock from the inside of the box you will see ten numbered buttons with arrows. (These are actually upside down the way the latch is installed) These numbers correspond to the numbered button on the front of the lock. (See Figure 4)
- 3.4. The arrows on the screws are pointing in the direction which the previous codes were set to. (See Figure 4)
IMPORTANT: Open knob must be in LOCKED position before the code can be changed.
- 3.5. Use a small screwdriver to rotate the arrows. For each number in your combination, apply light pressure and rotate a half turn so that the arrow points correctly (SET ON) and snaps up. Be sure to reset all the arrows to SET OFF before entering the new combination. (See Figure 4)
- 3.6. Check to make sure that the arrow of any number that is not in the combination is pointing the correct direction (SET OFF). (See Figure 4)

CAUTION: Arrows must point either direction (SET ON or SET OFF). An arrow pointing differently indicates that it has not snapped up, the combination will not work. Test the combination before locking the lid.

Figure 4



4. Testing your combination before closing the lid.

Please note: This product is equipped with a clutch mechanism to protect it from forced entry. Do not be alarmed if the OPEN lever turns even if the correct combination has not been entered.

- 4.1. Do not close the door. Press on the latch mechanism on the inside of the box to engage the latch.
 - 4.2. Make sure OPEN lever is in home position. If not, turn OPEN lever counterclockwise until it's in the home position. On the front of the lock, push only the numbered buttons in your combination. If a mistake is made, shift the CLEAR lever and re-enter the combination. (See Figure 3)
 - 4.3. Turn the OPEN lever clockwise to disengage the latch mechanism. When the latch mechanism disengages it will spring back open again. If you have entered an incorrect combination, you can return the buttons to their original setting by shifting the CLEAR lever. (See Figure 3)
 - 4.4. When you turn the lever, the combination will clear. (See Figure 3)
 - 4.5. To relock the combination lock turn the OPEN lever counter-clockwise. (See Figure 3)
5. Test the combination lock by closing, unlocking and reopening the lid.
- ATTENTION: The OPEN lever must be turned clockwise and held in position while at the same time the lid is pulled open.**
- 5.1. Close the lid until the latch engages.
 - 5.2. Make sure OPEN lever is in home position. If not, turn OPEN lever counterclockwise until it's in the home position. On the front of the lock, push only the numbered buttons in your combination. If a mistake is made, shift the CLEAR lever and re-enter the combination. (See Figure 3)

5.3. Turn the OPEN lever clockwise to disengage the latch mechanism and pull the lid open while holding the OPEN lever clockwise. Releasing the lever before pulling the lid open will allow the latch to re-engage preventing the lid from opening. (See Figure 3)

6. GAS STRUT REPLACEMENT OR REVERSAL:

****Attention: The gas strut is considered a “wear” item and may need to be replaced after a period of time. On some models, the Lock-box is shipped from the factory with the gas strut located on the left hand side. On these models, the gas strut may be reversed to the opposite side if desired.**

6.1 To replace or reverse the gas strut, start by removing the spring clip from the top and bottom mounting heads by prying the clip up with a flat screwdriver.

6.2 Remove the gas strut from the ball studs located at the top and bottom of the strut.

****Note the orientation of the factory installed gas strut is with the gas strut body located at the top.**

6.3 If reversing the strut location, remove the (2) ball studs from the mounting flanges on the Lock-box body and relocate to the opposite side.

6.4 Install a new or re-install the gas strut onto the ball studs and re-install the retaining spring clips.

7 **Required Periodic maintenance: Failure to perform periodic maintenance can result in the loss of access inside the security enclosure and failure of components.**

7.1 **Lubrication is required for all moving parts.** The schedule will vary depending on the level of usage and environmental conditions. Once a month is a good starting point. Be sure to lubricate all friction points completely. Use high temperature lithium grease. Key lubrication points are shown in the illustration below. (See figure 5)

7.2 **If the latch handle is removed or has been bumped out of alignment it will need to be adjusted correctly again.** The gap shown between the knob and the stop is critical and can vary slightly. If the gap is too small the knob cannot be turned enough to unlock the latch. If the gap is too large then the knob can be turned past its stop point which trips the internal clutch and will not unlock the latch. Adjust the handle so the gap is the largest possible initially then if the clutch is tripped move it in small increments until it unlatches correctly. (See figure 6)

7.3 **All fasteners should be checked to ensure they are not loose.** The schedule will vary depending on the level of usage, environmental conditions and typical vibration encountered. Once a month is a good starting point. Loctite may need to be reapplied after extended periods of time.

Figure 5

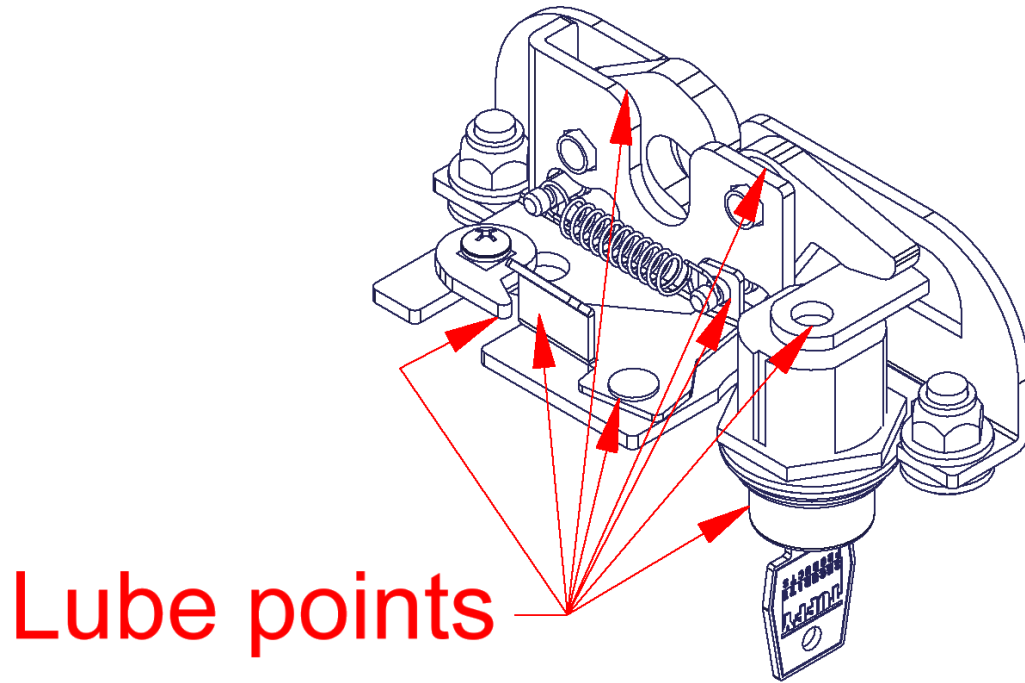
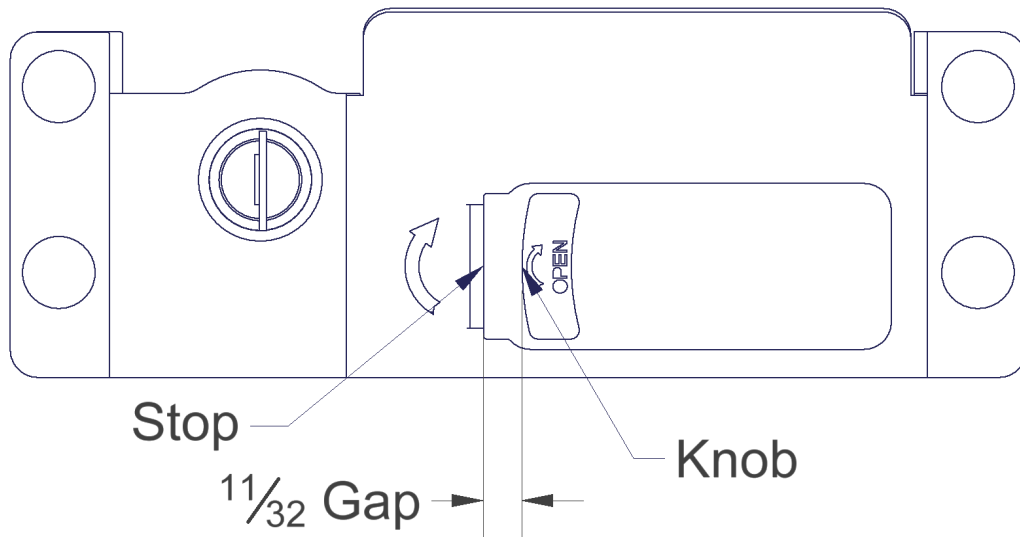


Figure 6



Call (970)564-1762 for Technical Support