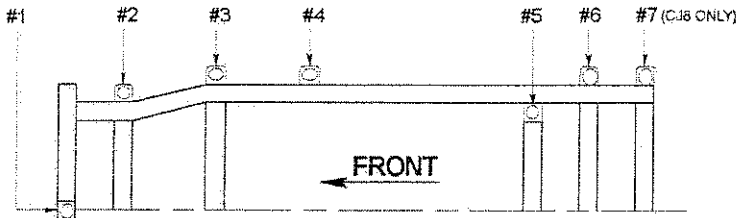


BODY MOUNT ASSEMBLY INSTRUCTIONS

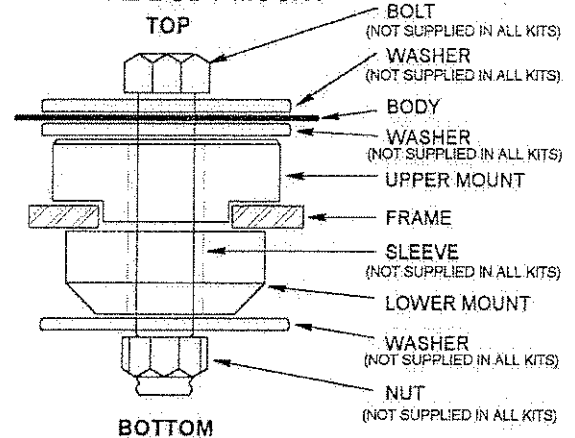
- 1) NOTE ALL BODY MOUNT POSITIONS AND RESPECTIVE PARTS (MOUNT SIZE/TYPE, WASHERS, SPACERS, BOLTS, SHIMS, ETC.) BEFORE AND DURING DISASSEMBLY. YOU MAY HAVE TO REUSE CERTAIN FACTORY HARDWARE PIECES THAT ARE NOT INCLUDED IN KIT.
- 2) IF MOUNTING BOLTS AND NUTS ARE RUSTED, LIBERALLY SPRAY WITH PENETRATING OIL I.E. WD-40.
- 3) SUPPORT VEHICLE BODY PROPERLY BEFORE REMOVING MOUNTS. USE A 2"X4" PIECE OF WOOD 24" LONG (OR ANY OTHER SUITABLE SIZE) BETWEEN JACK AND BODY PANEL TO SPREAD THE WEIGHT LOAD OUT SO AS NOT TO DAMAGE THE BODY PANELS. IF NECESSARY, SUPPORT BODY IN SEVERAL AREAS.
- 4) LOOSEN ALL BOLTS AND NUTS BUT DO NOT REMOVE.
- 5) WORKING FROM ONLY ONE SIDE OF VEHICLE AT A TIME REMOVE MOUNTING BOLT AND NUT AND RAISE BODY ONLY HIGH ENOUGH TO REPLACE MOUNT, NEVER HIGHER. ALSO CHECK OTHER AREAS ON BODY AND FRAME (ESPECIALLY FAN SHROUD) TO AVOID ANY INTERFERENCE PROBLEMS WHEN RAISING BODY.
- 6) REPLACE MOUNTS ONE AT A TIME. A DIAGRAM HAS BEEN PROVIDED FOR INFORMATION AS TO WHICH MOUNTS, WASHERS, SLEEVES AND BOLTS TO USE FOR EACH POSITION. INSTALL BOLTS BUT DO NOT TIGHTEN UNTIL ALL MOUNTS HAVE BEEN REPLACED.
- 7) AFTER ALL MOUNTS HAVE BEEN REPLACED, ALIGN SUBFRAME TO BODY AND TORQUE BOLTS TO FACTORY SPECIFICATIONS.
- 8) AFTER DRIVING VEHICLE FOR ABOUT 1000 MILES OR OFF ROADING, RE-TORQUE BOLTS AGAIN. THIS IS TO INSURE THAT THE BOLTS HAVE NOT LOOSENED DUE TO INITIAL SETTLING THAT MAY TAKE PLACE.

MOUNTING POSITIONS

MOUNTING POSITIONS ARE NUMBERED STARTING WITH #1 FOR THE MOST FORWARD POSITION TOWARD THE FRONT OF THE VEHICLE AND RESPECTIVELY HIGHER NUMBERS TOWARD THE REAR OF THE VEHICLE.



TYPICAL BODY MOUNT



KIT# 1-101				KIT# 1-102				KIT# 1-103			
PART#	DESCRIPTION	QTY	POS.#	PART#	DESCRIPTION	QTY	POS.#	PART#	DESCRIPTION	QTY	POS.#
U-60087	BODY MOUNT UPPER	14	ALL	U-60317	BODY MOUNT LOWER	1	1	U-60254	BODY MOUNT LOWER	8	3,4,5,6
NOTE: THE BODY MOUNTS FIT ONLY BETWEEN THE BODY AND THE FRAME. THERE ARE NO BUSHINGS USED ON THE UNDERSIDE OF THE FRAME.				U-60318	BODY MOUNT LOWER	2	2	U-60263	BODY MOUNT LOWER	2	2
				U-60319	BODY MOUNT LOWER	8	3,4,5,6	U-60264	BODY MOUNT UPPER	10	2,3,4,5,6
				U-60320	BODY MOUNT UPPER	8	3,4,5,6	U-60317	BODY MOUNT LOWER	1	1
				U-60321	BODY MOUNT UPPER	1	1	U-60321	BODY MOUNT UPPER	1	1
				U-60322	BODY MOUNT UPPER	2	2				
KIT# 1-104				KIT# 1-105				KIT# 1-107			
PART#	DESCRIPTION	QTY	POS.#	PART#	DESCRIPTION	QTY	POS.#	PART#	DESCRIPTION	QTY	POS.#
U-60254	BODY MOUNT LOWER	10	3,4,5,6,7	U-60317	BODY MOUNT LOWER	1	1	U-68054	BODY MOUNT UPPER	5	1,5,6
U-60263	BODY MOUNT LOWER	2	2	U-60321	BODY MOUNT UPPER	1	1	U-68055	BODY MOUNT LOWER	5	1,5,6
U-60264	BODY MOUNT UPPER	12	2,3,4,5,6,7	U-68023	BODY MOUNT UPPER	6	2,3,4	U-68056	BODY MOUNT UPPER	6	2,3,4
U-60317	BODY MOUNT LOWER	1	1	U-68024	BODY MOUNT UPPER	4	5,6	U-68057	BODY MOUNT LOWER	6	2,3,4
U-60321	BODY MOUNT UPPER	1	1	U-68025	BODY MOUNT LOWER	4	5,6	WASH-1177	2 1/4"ODx1 1/2"ID WASHER	11	ALL
				U-68026	BODY MOUNT LOWER	6	2,3,4				
				WASH-1159	2"ODx1 1/2"ID BOTTOM	10	2,3,4,5,6				
KIT# 1-109											
PART#	DESCRIPTION	QTY	POS.#								
U-60087	BODY MOUNT UPPER	14	1,3,4,5,6*								
U-68084	BODY MOUNT LARGE	2	2**								
U-68085	BODY MOUNT SMALL	2	2**								
SLV-60592	9/16"x2.185" SLEEVE	2	2								
*EXTRA MOUNTS INCLUDED, USE AS NEEDED.											
**USE APPROPRIATE SIZE.											