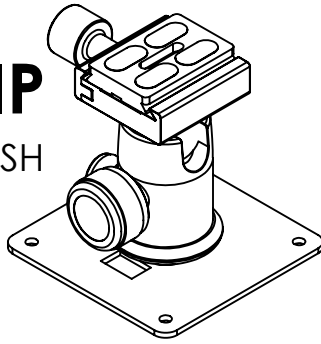


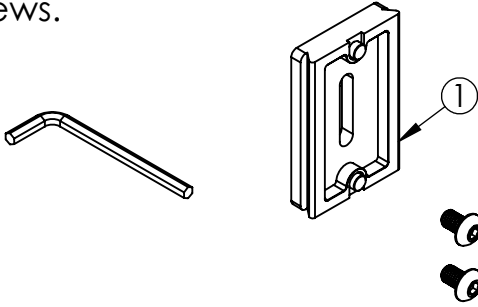
DASH GRIP

SKU: MA-GRIP-DASH

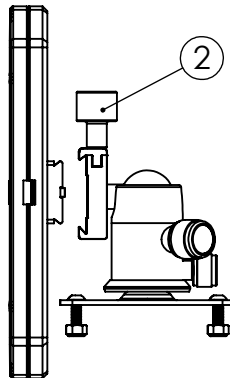


PREPARE DASH GRIP FOR MOCK-UP

Step 1: Secure the quick-release base to the tablet enclosure using the supplied 1/8" allen wrench and the shorter two #10 screws.

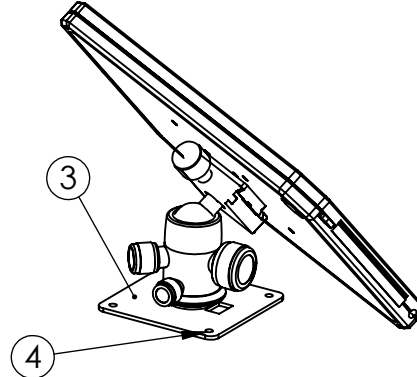


Step 2: Secure the tablet enclosure to the Dash Grip assembly by tightening knob D onto the quick release base until the tablet is secure.



MOCK-UP ON MOUNTING SURFACE

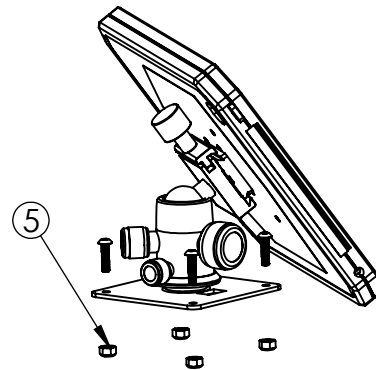
Step 3: Position the Dash Grip mounting plate onto the mounting surface where desired. Ensure the tablet is within reach and has optimal visibility. Also ensure the product does not hinder any driver controls.



DRILL MOUNTING SURFACE

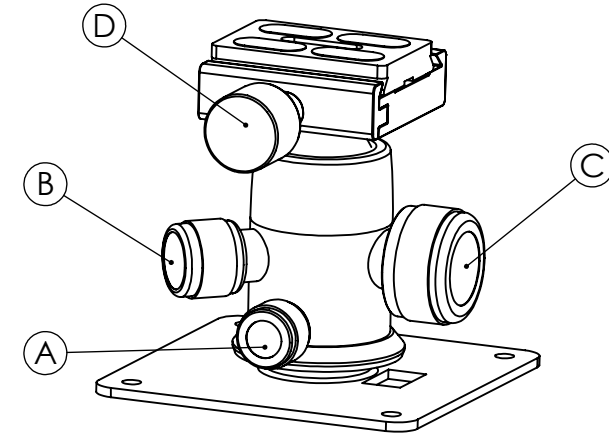
Step 4: Mark and drill the four holes on the mounting surface (75mm spacing, 0.19" diameter)

Step 5: Secure the Dash Grip to the mounting surface using the supplied nyloc nuts, longer #10 screws, and 1/8" allen wrench.



POSITIONING

Knob A rotates the mounting assembly from the mounting plate in full 360 degree rotation. Knob B and C control the ball housing. Both Knob B and C must be loosened to move the ball housing and both must be tightened to ensure the ball will stay in desired location. Knob D controls the tightness of the dove slide.



WARNING: Improper installation may cause mount failure under shock and vibration. Use best judgement when deciding on mount location considering security if fasteners should release.

WARRANTY

For assistance, please contact us directly at:

CONTACT

MOB ARMOR

www.mobarmor.com

2360 Thompson Way Suite D & E, Santa Maria, CA 93455

Customer Service: (805) 214-1815