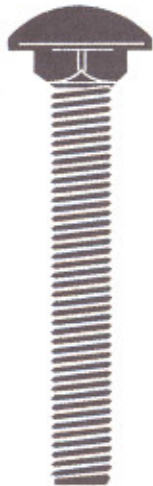


AX or SHOVEL MOUNT Assembly Instructions

#60101

A (2 ea.)

3/8" x 2 1/4"
Carriage Bolt



B

(8 ea.)

3/8"

SAE Flat Washer



C

(4 ea.)

3/8"

Lock Washer



D

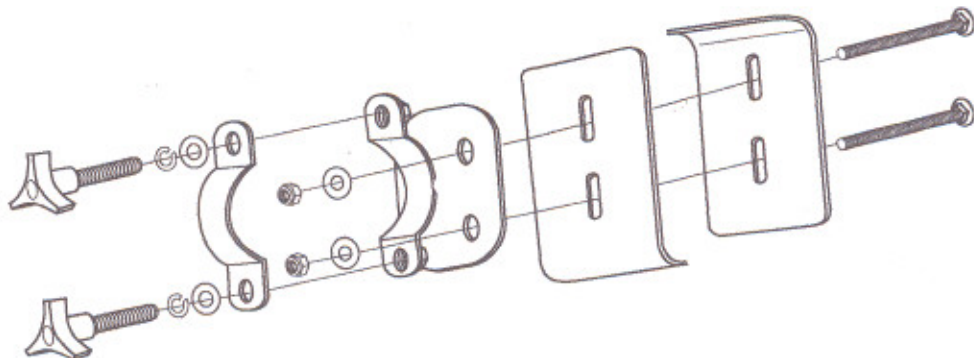
(4 ea.)

3/8" Lock Nut



K (4 ea.)

Plastic Knob



- ▶ With the length of your ax or shovel handle in mind, position mounting brackets to the side of your rack to give you proper balance of the weight of your tool. Attach as shown above, (both brackets are the same).

- ▶ Place your ax or shovel into the brackets, tighten down the knobs, and you are on your way.

THAT's IT!

