

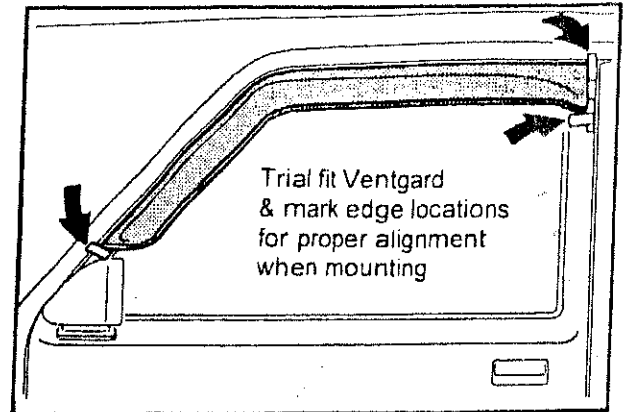


VENTGARD MOUNTING INSTRUCTIONS

NOTE: NO DRILLING IS REQUIRED. VENTGARDS MOUNT TO THE DOORS WITH 3M VHB DOUBLE BACKED TAPE.

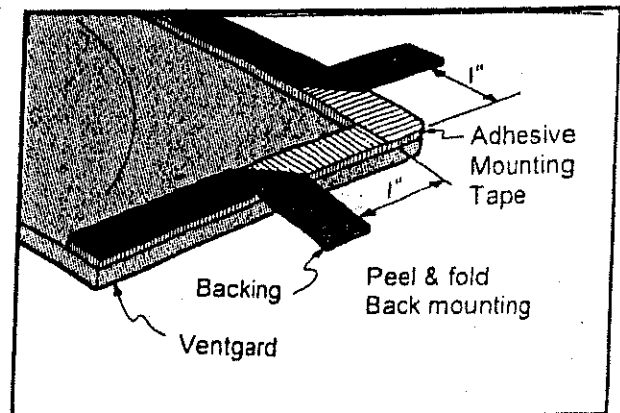
1. TRIAL FIT:

Hold th Ventgard in place and mark the corner locations with tape or a grease pencil for mounting.



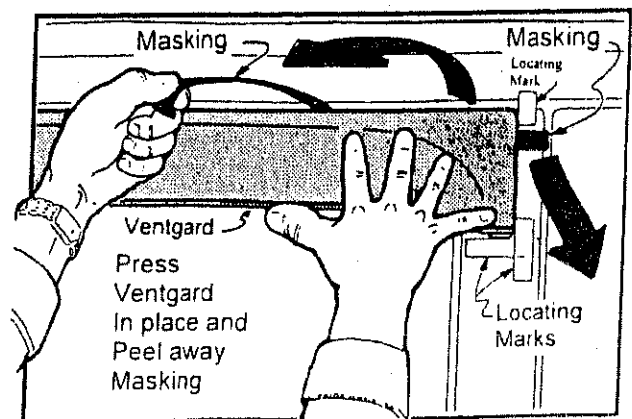
2. CLEAN MOUNTING AREA:

First clean the mounting area with a mild soap & water solution. Rinse and dry the area. Next, wipe the mounting area with the "Alcohol prep pad". Wipe dry using a clean, dry towel.



3. MOUNTING:

Peel and fold approximately one inch of masking from the mounting adhesive, as shown. Make sure masking is accessible when Ventgard is in place. Line up Ventgard with locating marks and press Ventgard in place. Peel away the remaining masking and press firmly along the entire mounting area.



4. CURING:

Allow the adhesive to "cure" at least 24 hours before applying pressure on the Ventgard or washing vehicle.

G.T. STYLING • Consumer Warranty Claims • (714) 630-6561

LIMITED LIFETIME WARRANTY: All components of this product have a LIMITED LIFETIME WARRANTY from date of purchase to be free of manufacturer's defects in material and craftsmanship. Damage due to improper installation or road hazards is not covered. Manufacturer's obligation shall be to replace the product proved to be defective. Proof of purchase is necessary for the replacement of any warranted G.T. Styling™ product.