



FAL Aluminum Shroud Kit

Assembly & Installation Instructions

1. Drill mounting holes in the shroud, then attach the fan(s) (not included) to the shroud. See **Diagrams A, B, and C**.
2. Prepare the radiator for shroud installation by clearing the core surface (see **Diagram D**).
3. Find the rubber strips included in the kit and trim 2 strips to the length of the shroud. These will be used between the shroud and radiator to isolate vibration (see **Diagram D**).
4. The shroud can be mounted to the radiator by using the flanges between your radiator tanks. Place the shroud over the flanges. Using the holes in the aluminum shroud as a template, mark and drill holes through the flanges on your radiator. It may be helpful to have a friend hold the shroud while you mark and drill the holes. **NOTE: Use caution when drilling the mounting holes. Do not drill into the radiator core!**
5. Attach the fan and shroud assembly to the radiator using the small #10 screws, washers, and lock nuts as shown (see **Diagram D**). **NOTE: Be sure to use the rubber cushioning strips between the shroud and radiator as shown!**
6. Follow the manufacturer's wiring instructions for the fan.

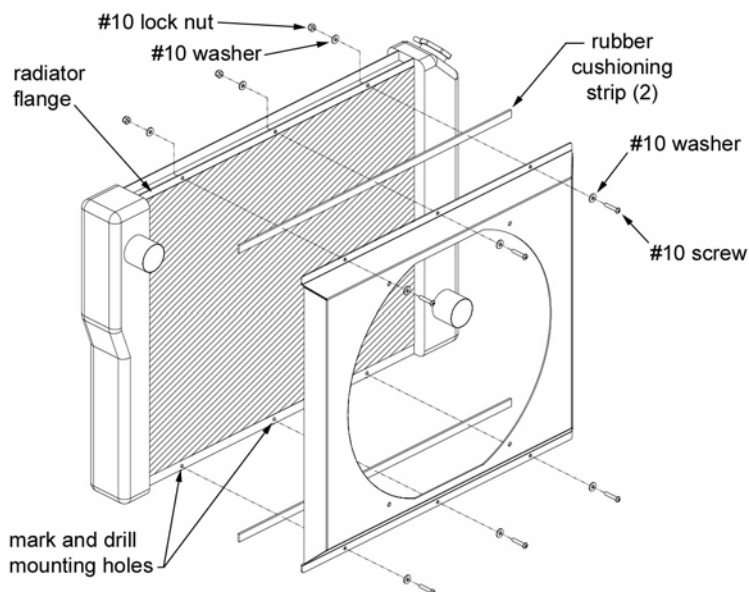
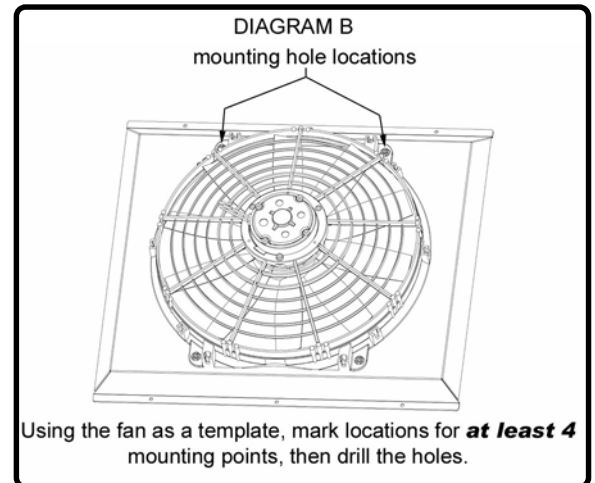
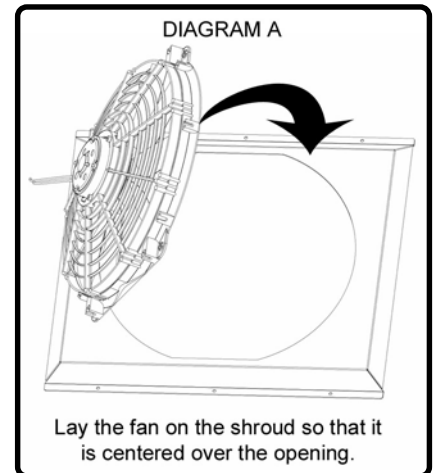


Diagram D
(fan not shown for clarity)

