

Flex Fan Installation Instructions

! DANGER

Edges are sharp! Wear gloves and long sleeves while working around any flex fan.

! WARNING

For safe operation, any belt-driven fan must be used with a shroud.

How to install your fan properly

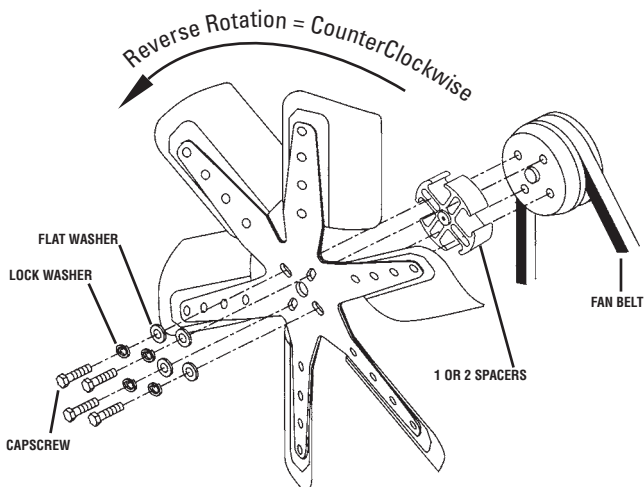
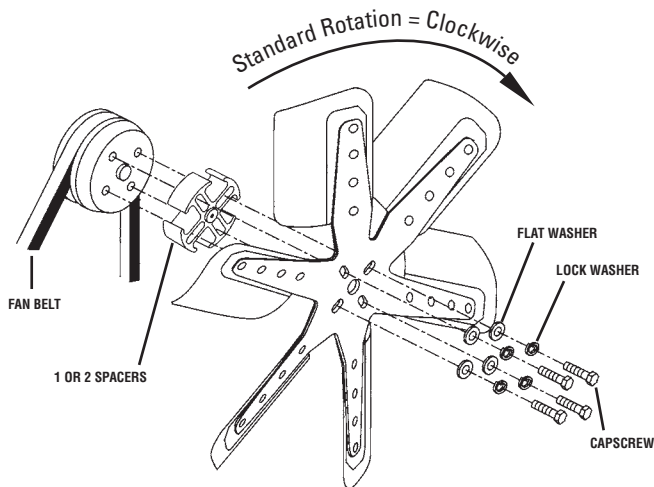
The basic rule of fan positioning is to be sure of proper clearance from radiator and all obstructions. (See Diagram) When replacing a fan and clutch with a flex fan, a spacer may be required. In the event a spacer is required, the "RULE OF THUMB" will normally provide you with the thickness of spacer needed to position the fan. Keep in mind that these are only general rules, and the fan should be positioned as close as possible to the dimensions shown in the diagram.

"RULE OF THUMB"

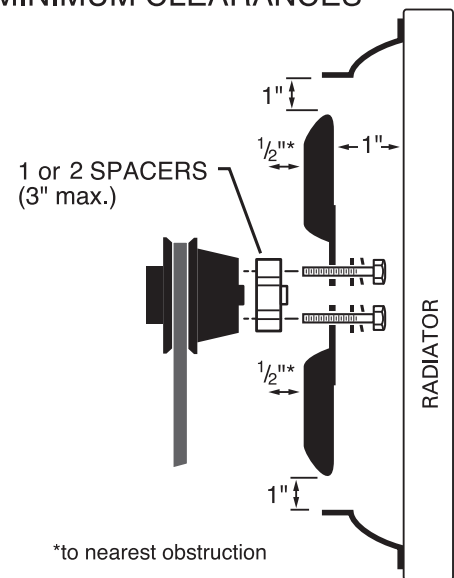
If you are replacing a CLUTCH type fan, a 2 inch spacer may be necessary (replace whole unit—both clutch and fan).

If you are replacing a FLEX FAN there is no need for additional spacing.

The fan in this box is engineered for performance applications. When additional spacing is required, a full-face spacer is recommended to insure safe and efficient operation.



MINIMUM CLEARANCES



Fan should project into shroud approximately one half of the fan's depth; blade tips should clear lip of shroud by about 1". The fan should not be any closer than 1" to the nearest forward obstruction.